



一众显示科技有限公司

TEAM SOURCE DISPLAYTECH. CO, TD.

# TFT-LCD Module Specification

**Module NO.:** TSS013001

**Version:** V1.3

APPROVAL FOR SPECIFICATION

APPROVAL FOR SAMPLE

For Customer' s Acceptance:	
Approved by	Notes

Team Source Display:		
Presented by	Reviewed by	Approved by

## Revision History

Date 日期	Revision 版本号	Description 描述	Author 作者
2022.04.19	V1.0	Newly written	Aron
2022.9.28	V1.1	Update drawings	Zahi
2022.11.18	V1.2	Corrected some error	Zahi
2023.4.12	V1.3	Update for secondary development	Aron

## 1 Basic information

TSS013001 is a serial communication TFT color screen display knob switch module based on the RTOS/STM32 platform. Through optimization algorithms, it achieves rapid collaboration among the main chip, display screen, and encoder switch, resulting in excellent screen refresh rate and dynamic display effect. The module adopts an integrated design, and the screen, electric control, and coding switch are integrated into one body, with excellent reliability and excellent control feel. It is suitable for various application scenarios that require button control, such as home appliances, smart homes, car central controls, beauty equipment, and industrial controls.

Communication interface	UART
Display Specifications	1.3"/IPS/240*240
Storage method	64Mbit norFlash(Support customize)
Operation type	Rotate and press
Ambient Light	RGB tricolor light circle at the bottom, customizable
UI content	Support customization and secondary development of TouchGFX
Appearance	Plastic chrome plated/2.0D/2.5D integrated black glass cover plate (customizable)

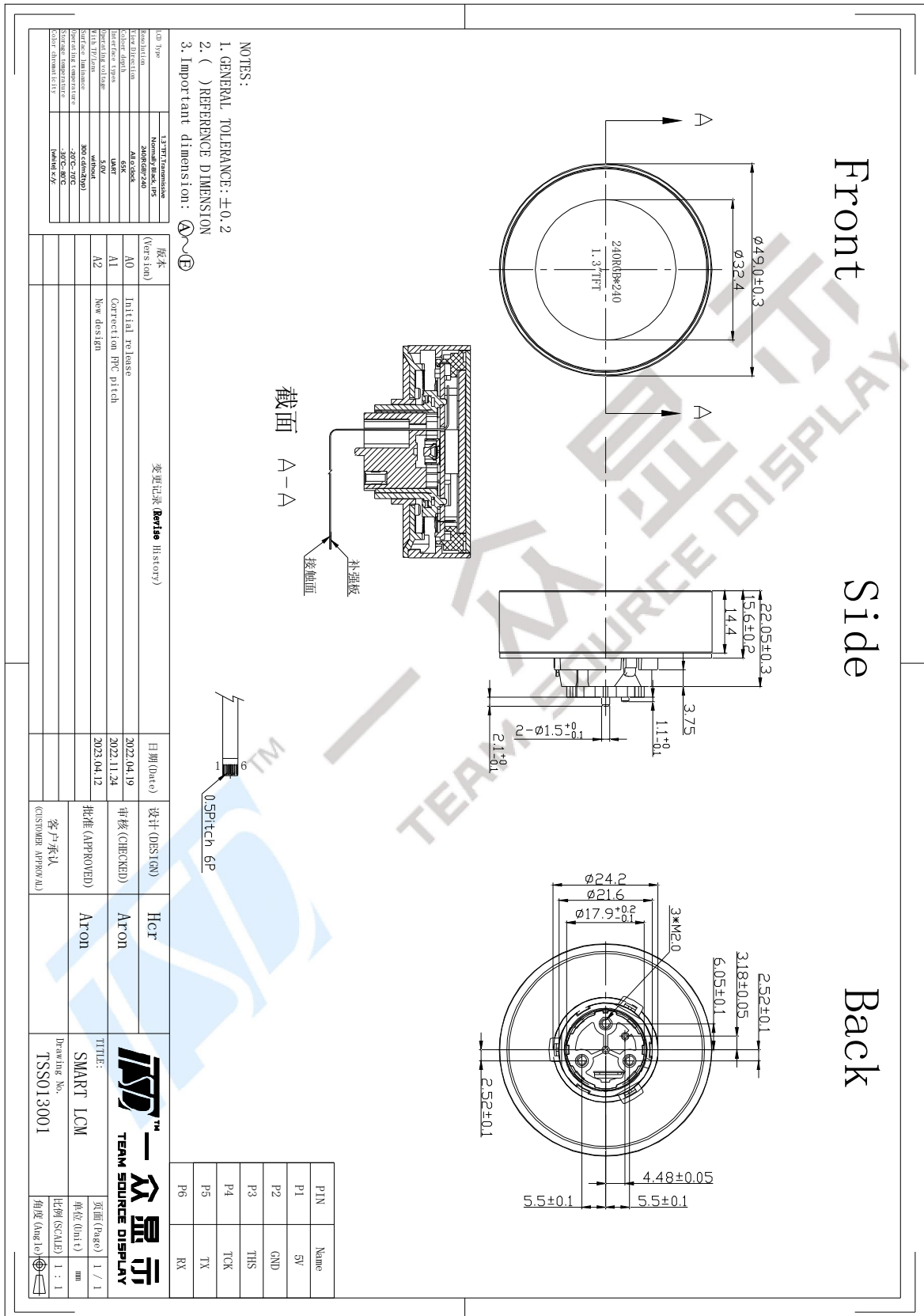
## 2 Technical Information

### 2.1 Appearance



Picture: Appearance

2.2 Outline dimensions



2.3 Basic structure

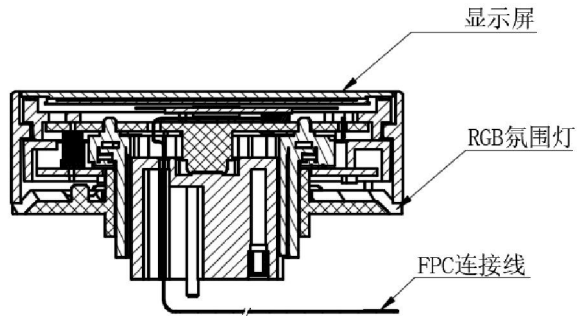


Image: Part structure

2.4 Interface Definition

PIN	名称	定义	备注
P1	5V	Power	4.5~5.5V , 典型值 Typical value 5V/100mA
P2	GND	Ground	
P3	SWD	SWD Date	3.3V
P4	SWC	SWD CLK	3.3V
P5	TX	UART TX	3.3V
P6	RX	UART RX	3.3V

2.5 Technical parameters

2.5.1 Basic parameters

Performance parameter	Technical requirement	Remarks
Operating voltage	4.5V~5.5V, Typical : 5V	
Operating current	50mA~150mA, Typical 80mA	
Display Color	65K	
Display resolution	240 (W) *3(RGB)240 (H)	
Display Brightness	300±10%cd/m <sup>2</sup>	
Viewing angle	ALL	
Operating temperature	-20°C~70°C/96H	
Storage temperature	-30°C~80°C/96H	

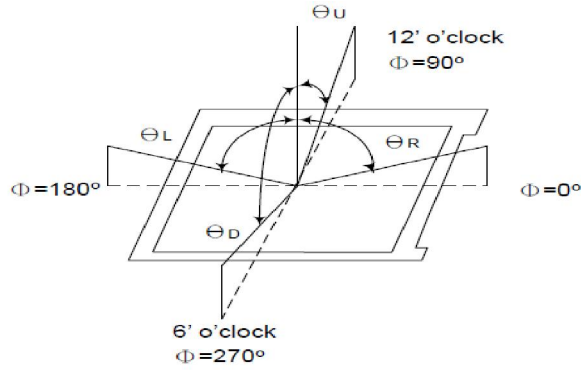
## 2.5.1 光学特性

Parameter 参数	Symbol 符号	Condition 条件	Min. 最小值	Typ. 典型值	Max. 最大值	Unit 单位	Remark 备注
Contrast Ratio	C/R	$\theta = 0^\circ$	900	1100	-	-	Note(4)
NTSC Ratio	S	$\theta = 0^\circ$	55	60	-	%	Note(7)
Luminance	L	$\theta = 0^\circ$	270	300	-	cd/m <sup>2</sup>	Note(5)
Luminance uniformity	U <sub>w</sub>	$\theta = 0^\circ$	70	80	-	%	Note(3)
Response Time	T <sub>R</sub> + T <sub>F</sub>	25 °C	-	30	40	ms	Note(2)
Color Coordination	W <sub>X</sub>	$\theta = 0^\circ$ (Center) Normal viewing angle B/L On	-0.04	0.29	+0.02	NTSC (x,y)	Note(6)
	W <sub>Y</sub>			0.32			
	R <sub>X</sub>			0.644			
	R <sub>Y</sub>			0.332			
	G <sub>X</sub>			0.323			
	G <sub>Y</sub>			0.565			
	B <sub>X</sub>			0.134			
	B <sub>Y</sub>			0.124			
Viewing Angle	$\theta_L$	C/R>10	80	85	-	Degree	Note(1)
	$\theta_R$		80	85	-		
	$\theta_U$		80	85	-		
	$\theta_D$		80	85	-		

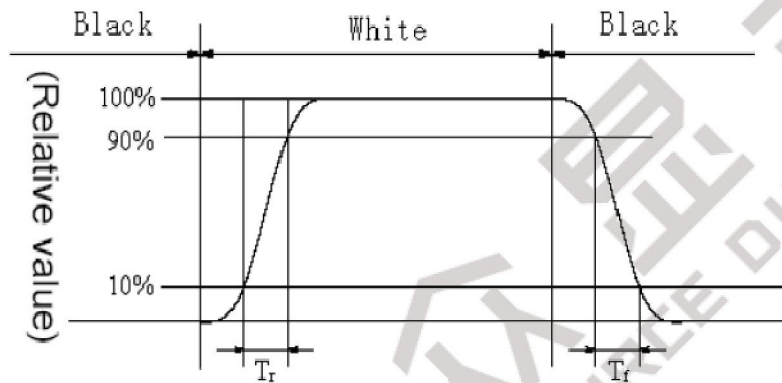
Test Conditions:

- VDD=3.3V, IF=20mA (Backlight current), the ambient temperature is +25°C.
- The test systems refer to Note 8.

**Note1:** Definition of Viewing Angle: The viewing angle range that the CR>10



**Note 2:** De

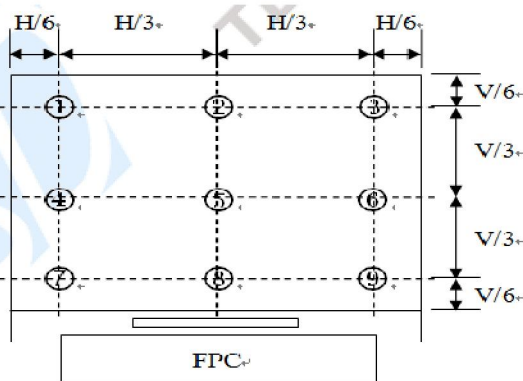


**Note 3:** D

ev

Lt

%



**Note 4:** De

$$\text{Contrast ratio (CR)} = \frac{\text{Luminance measured when LCD on the "White" state}}{\text{Luminance measured when LCD on the "Black" state}}$$

**Note 5:**

Definition of Luminance:

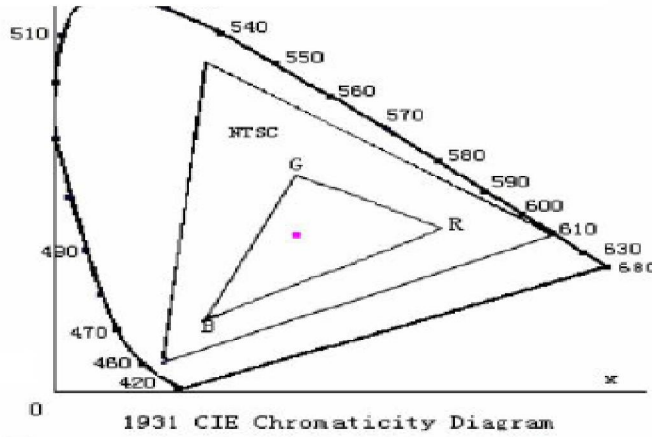
Center Luminance of white is defined as luminance values of 1 point average across the LCD surface.

**Note 6:** Definition of Color Chromaticity (CIE 1931)

Color coordinates of white & red, green, blue measured at center point of LCD.

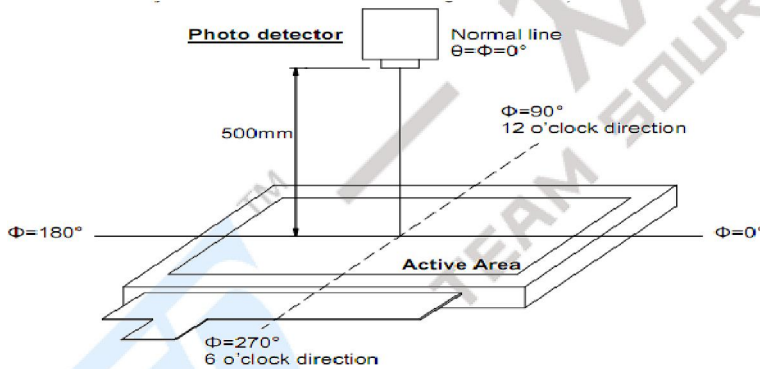
**Note 7:** Definition of NTSC ratio:

$$\text{NTSC ratio} = \frac{\text{Area of RGB triangle}}{\text{Area of NTSC triangle}}$$



**Note 8:** Definiti  
The optic  
measured at the  
view: 1°/Height

1, the optical properties are  
or TOPCON BM-7, Field of



## 2. 6 Reliability and mechanical performance

Item 项目	Test Condition 测试条件	SPECIFICATIONS规格
Insulation impedance	Apply a voltage of 250V DC between the outer button and the base for 1 minute.	The resistance between the metal outer button and the base is above 100M Ω.
Withstand voltage	Apply an AC 300V voltage between the metal outer button and the base for 1 minute.	No insulation damage allowed
Full rotation angle		360°(无止挡点)
Rotational torque		65±20mN.m (650±200gf.cm)
Number and location of		18 point positioning (spacing angle 20 ° ± 3 °)



positioning points																	
Axial compressive strength	At the end of the shaft, apply a static load force of 5Kgf along the axis and press down for 10 seconds (the screw is fixed on the surface shell).	There is no damage to the shaft, and there is no abnormal pressing; There are no abnormalities in electrical performance															
Axial tensile strength	At the end of the shaft, apply a static load force of 5Kgf along the axis and press down for 10 seconds (the screw is fixed on the surface shell).	There is no damage to the shaft, and there is no abnormal pressing; There are no abnormalities in electrical performance															
Rotational lifespan	Under no load conditions, the shaft rotates at a speed of 600-800 cycles/hour for 30000 (1 cycle refers to 360 ° clockwise rotation and 360 ° counterclockwise rotation)	Torque: -50% to+10% of initial value The knob shows no abnormal adjustment when powered on.															
Moisture-proof	After being placed in a constant temperature and humidity bath with a temperature of $60 \pm 3^{\circ}\text{C}$ and a humidity of 90~95% for $96 \pm 4$ hours, the test is conducted after being placed at room temperature and humidity for 1.5 hours	The surface of the outer button is free from cracks and bubbles, and the display screen is not degummed. The knob shows no abnormal adjustment when powered on.															
Heat resistance	Place in a constant temperature oven at a temperature of $70 \pm 3^{\circ}\text{C}$ for $96 \pm 4$ hours, and place at room temperature and constant humidity for 1.5 hours before testing	The surface of the outer button is free from cracks and bubbles, and the display screen is not degummed. The knob shows no abnormal adjustment when powered on.															
Cold resistance	<table border="1" data-bbox="406 1400 981 1769"> <thead> <tr> <th>阶段 step</th> <th>温度 Temperature</th> <th>放置时间 Durationure</th> </tr> </thead> <tbody> <tr> <td>1</td> <td>-20℃</td> <td>0.5 hour</td> </tr> <tr> <td>2</td> <td>常温 standard atmospheric conditions</td> <td>0.5 hour</td> </tr> <tr> <td>3</td> <td>70℃</td> <td>0.5 hour</td> </tr> <tr> <td>4</td> <td>常温 standard atmospheric conditions</td> <td>0.5 hour</td> </tr> </tbody> </table> <p>试验周期: 5周 test cycle: 5 cycles</p> <p>After testing according to the above conditions, place it in a normal temperature and humidity environment for 1.5 hours before testing.</p>	阶段 step	温度 Temperature	放置时间 Durationure	1	-20℃	0.5 hour	2	常温 standard atmospheric conditions	0.5 hour	3	70℃	0.5 hour	4	常温 standard atmospheric conditions	0.5 hour	The surface of the outer button is free from cracks and bubbles, and the display screen is not degummed. The knob shows no abnormal adjustment when powered on.
阶段 step	温度 Temperature	放置时间 Durationure															
1	-20℃	0.5 hour															
2	常温 standard atmospheric conditions	0.5 hour															
3	70℃	0.5 hour															
4	常温 standard atmospheric conditions	0.5 hour															
Press the switch for power	Apply an axial force to the cover plate until it remains stationary, taking the maximum value during the force application process.	500±200gf															

Press the switch movement amount	Fix the product on the surface cover plate, apply a static load force of twice the acting force directly above the cover plate, and measure the movement distance of the knob when it is pressed to the point where it cannot move.	1.5±0.3 mm
Switch press life	After the product is fixed, apply 300gf of axial pressure, press to the end and release to allow it to freely reset. Press 30000 times. Press at a speed of 1500 to 1800 times per hour.	Press the -50%~+10% knob with the initial power as the driving force, and the power on display adjustment is normal. The plastic part is free from damage, deformation, and rotation is normal.

### 2.7 Precautions for use

Avoid storing in high temperature, damp, and corrosive areas Try to use the product within 6 months after purchase The remaining unused products after unpacking should be stored in a moisture-proof and gas proof environment.

Operating temperature range: -20 °C~70 °C, long-term high-temperature operation can lead to failure.

The static sensitive components of the main control board must come into contact with an anti-static wrist, especially the main control chip.

The DC power supply voltage during sample inspection and testing should not exceed 8V to prevent jumping, surge, breakdown or damage to the voltage regulator chip during power contact.

### 3 Transportation and storage

#### 3.1 Transportation regulations

1、 During transportation, direct or indirect exposure to rain and snow, as well as mechanical damage or dampness, should be avoided to prevent damage to the packaging.

2、 During transportation or handling, heavy falls or pressure should be avoided to avoid pin damage or deformation.

#### 3. 1 Storage Environment and Conditions

1.It should be stored in a well ventilated environment with a temperature of -15 °C to+25 °C, a relative humidity of 40% -65%, and no acid, alkali, or other harmful gases around.

2.During storage and transportation, each stack height shall not exceed 5 boxes of products.

Item	Normal parameters	Limit parameter	Material Effective Status	Remarks
Temperature	25°C	85°C	No abnormalities	
Humidity	65%	95%	No abnormalities	