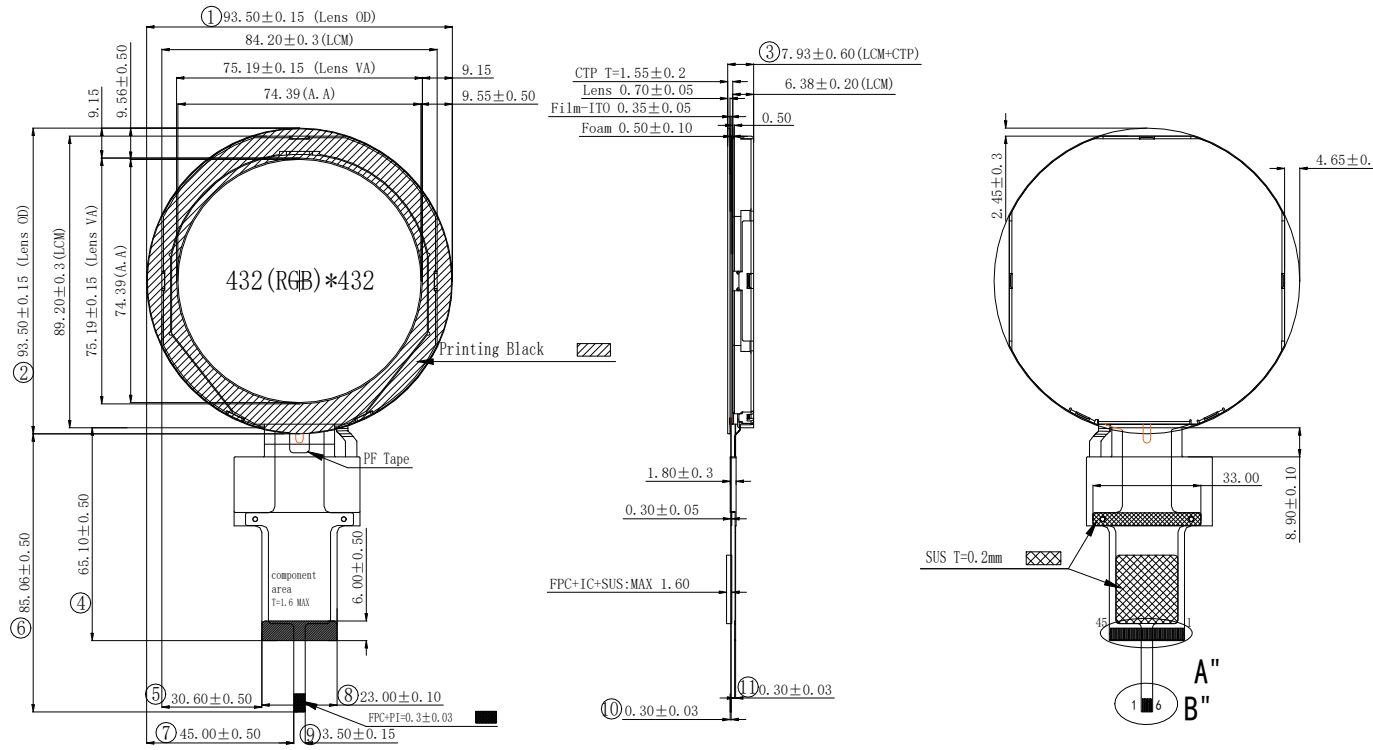


CTP PIN

PIN NO	DINFINATION
1	VDD (3.3V)
2	RST
3	INT
4	SDA (3.3V)
5	SCL (3.3V)
6	GND

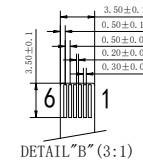
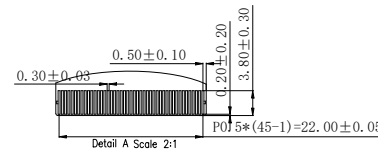
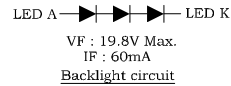


LCM Pin Define

No.	Pin name	No.	Pin name
1	VDDI	24	DG0
2	VDD	25	DG1
3	VDD	26	DG2
4	GND	27	DG3
5	/RESX	28	DG4
6	SDI	29	DG5
7	SDO	30	DG6
8	SCL	31	DG7
9	CSX	32	GND
10	DCLK	33	DR0
11	DE	34	DR1
12	VSYNC	35	DR2
13	HSYNC	36	DR3
14	GND	37	DR4
15	DB0	38	DR5
16	DB1	39	DR6
17	DB2	40	DR7
18	DB3	41	GND
19	DB4	42	LEDA
20	DB5	43	LEDA
21	DB6	44	LEDK
22	DB7	45	LEDK
23	GND		

NOTES:

1. GENERAL TOLERANCE: ±0.3
2. () REFERENCE DIMENSION
3. Important dimension: ①~⑪



LCD Type	3.0" TFT, Transmissive
	Normally Black IPS
Resolution	432(RGB)*432
View Direction	ALL O'clock
LCD driver IC	HX8363
Color depth	16.7M
Interface types	SPI+RGB24-bit
Operating voltage	3.3V
With TP/Lens	with ctp(ST116331)
Backlight	3LEDs, 60mA(typ), 18.9V(ref)
Surface luminance	900 cd/m ² (typ)
Operating temperature	-20°C~70°C
Storage temperature	-30°C~80°C
Color chromaticity	[white] xyz

版本 (Version)	变更记录 (Revise History)	日期 (Date)	设计 (DESIGN)	Zahi
A0	Initial release	2022.05.16		
A1	Change the FPC length and brightness	2022.06.13	审核 (CHECKED)	Aron
A2	SPI/RGB24-bit \rightarrow SPI+RG824-bit	2023.08.09	批准 (APPROVED)	Aron
			客户承认 (CUSTOMER APPROVAL)	



TITLE: LCM+CTP	页面 (Page) 1 / 1
Drawing No. TST030GN06-05C	单位 (Unit) mm
	比例 (SCALE) 1 : 1
	角度 (Angle)